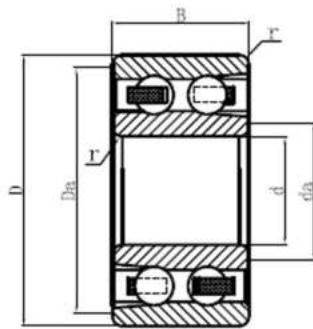


上海烈力轴承制造有限公司

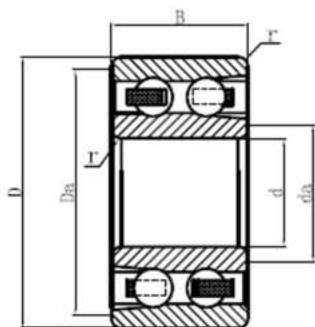
双列深沟球轴承
(4200 & 4300 系列)



LB



| 型号 | 内径 (d) | 外径 (D) | 宽度 (B) | 基本额定动载荷 (Cr) (KN) | 基本额定静载荷 (Cor) (KN) | 脂润滑最高转速 (X1000 RPM) | 油润滑最高转速 (X1000 RPM) |
|------|--------|--------|--------|-------------------|--------------------|---------------------|---------------------|
| 4200 | 10 mm | 30mm | 14mm | 7.7 | 5.9 | 15 | 20 |
| 4201 | 12 mm | 32mm | 14mm | 7.75 | 6.15 | 14 | 18 |
| 4202 | 15 mm | 35mm | 14mm | 9.75 | 9 | 12 | 16 |
| 4203 | 17 mm | 40mm | 16mm | 11.7 | 10.4 | 11 | 14 |
| 4204 | 20 mm | 47mm | 18mm | 16.4 | 16 | 9 | 12 |
| 4205 | 25 mm | 52mm | 18mm | 16.3 | 16.9 | 7.5 | 9.9 |
| 4206 | 30 mm | 62mm | 20mm | 22 | 24.7 | 6.4 | 8.5 |
| 4207 | 35 mm | 72mm | 23mm | 26.4 | 30.7 | 5.6 | 7.4 |
| 4208 | 40 mm | 80mm | 23mm | 33.7 | 42.4 | 4.7 | 6.3 |
| 4209 | 45 mm | 85mm | 23mm | 31.9 | 43.9 | 4.6 | 6.1 |
| 4210 | 50 mm | 90mm | 23mm | 31.4 | 44.6 | 4.2 | 5.6 |
| 4211 | 55 mm | 100mm | 25mm | 37.2 | 54.1 | 3.8 | 5 |
| 4212 | 60 mm | 110mm | 28mm | 47.9 | 67.6 | 3.5 | 4.7 |
| 4213 | 65 mm | 120mm | 31mm | 54.7 | 78.5 | 3.2 | 4.3 |
| 4214 | 70 mm | 125mm | 31mm | 62.1 | 89.8 | 3.1 | 4.1 |
| 4215 | 75 mm | 130mm | 31mm | 61.6 | 90.7 | 2.9 | 3.9 |



| 型号 | 内径 (d) | 外径 (D) | 宽度 (B) | 基本额定动载荷 (Cr) (KN) | 基本额定静载荷 (Cor) (KN) | 脂润滑最高转速 (X1000 RPM) | 油润滑最高转速 (X1000 RPM) |
|------|--------|--------|--------|-------------------|--------------------|---------------------|---------------------|
| 4302 | 15 mm | 42mm | 17mm | 13.1 | 11.7 | 11 | 14 |
| 4303 | 17 mm | 47mm | 19mm | 16.5 | 15 | 9.4 | 13 |
| 4304 | 20 mm | 52mm | 21mm | 19.5 | 17 | 8.3 | 11 |
| 4305 | 25 mm | 62mm | 24mm | 26.3 | 25.7 | 6.7 | 9 |
| 4306 | 30 mm | 72mm | 27mm | 35.5 | 35.9 | 5.7 | 7.6 |
| 4307 | 35 mm | 80mm | 31mm | 40.6 | 41.8 | 5.2 | 7 |
| 4308 | 40 mm | 90mm | 33mm | 46 | 48.8 | 4.6 | 6.1 |
| 4309 | 45 mm | 100mm | 36mm | 57.6 | 62.4 | 4.1 | 5.5 |
| 4310 | 50 mm | 110mm | 40mm | 70.4 | 77.7 | 3.7 | 5 |
| 4311 | 55 mm | 120mm | 43mm | 84.2 | 94.4 | 3.4 | 4.6 |
| 4312 | 60 mm | 130mm | 46mm | 99.2 | 113 | 3.1 | 4.2 |
| 4313 | 65 mm | 140mm | 48mm | 107 | 124 | 2.9 | 3.9 |
| 4314 | 70 mm | 150mm | 51mm | 115 | 136 | 2.7 | 3.6 |
| 4315 | 75 mm | 160mm | 55mm | 132 | 158 | 2.5 | 3.4 |